

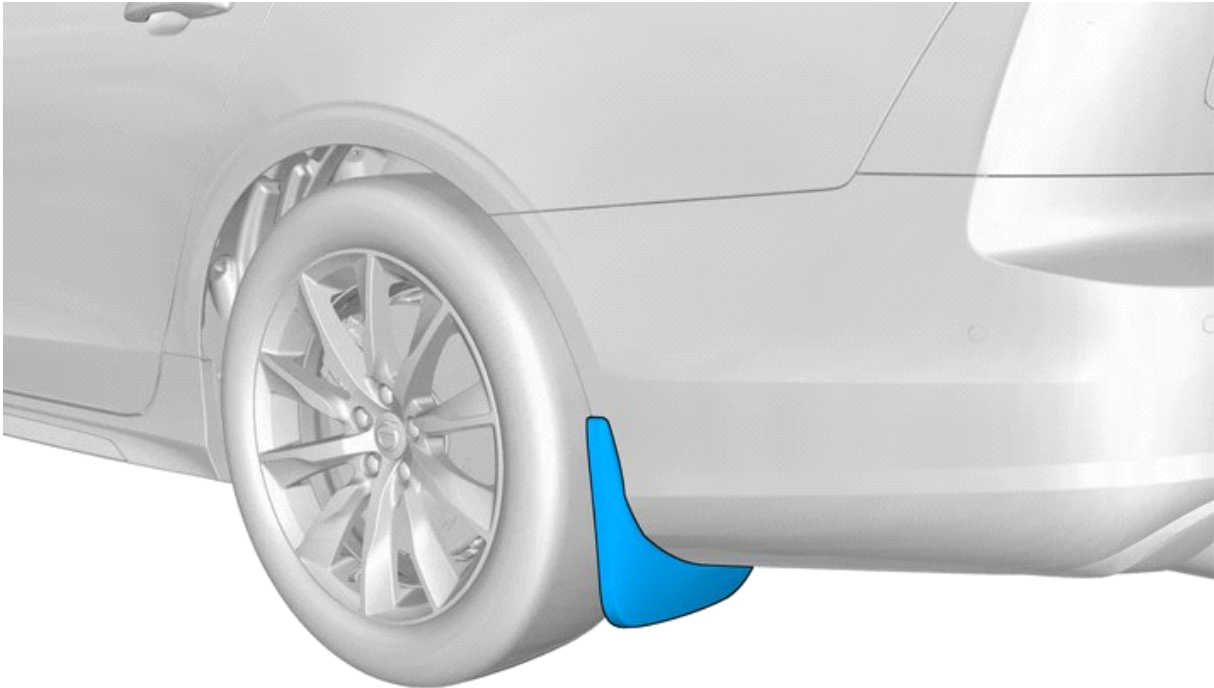


# Installation instructions, accessories

Volvo Car Corporation Gothenburg, Sweden

Instruction No	Version	Part. No.
31454839	1.0	31439244

## Mudflaps, rear



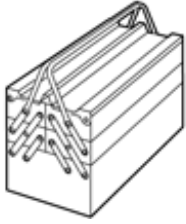
IMG-409585



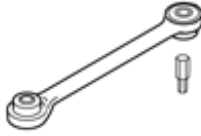
# Installation instructions, accessories

Volvo Car Corporation Gothenburg, Sweden

## Equipment



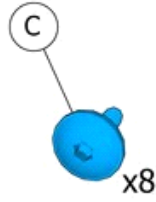
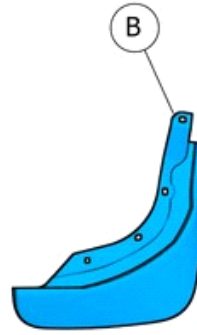
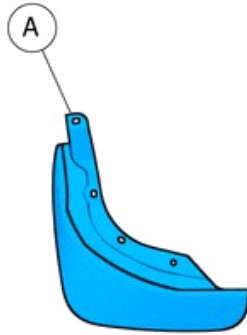
IMG-345497



IMG-268803



IMG-239981



x8



x2

IMG-409510



# Installation instructions, accessories

Volvo Car Corporation Gothenburg, Sweden

## Information

1

Read through all of the instructions before starting installation.

Notifications and warning texts are for your safety and to minimise the risk of something breaking during installation.

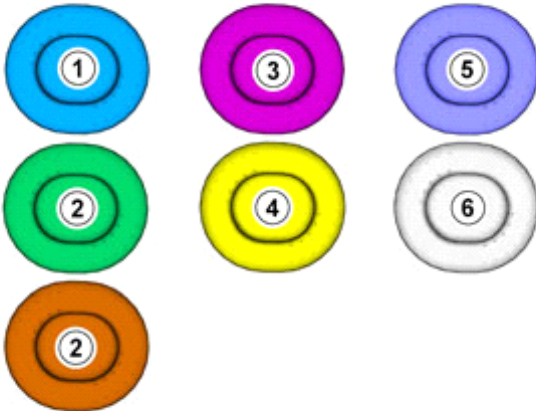
Ensure that all tools stated in the instructions are available before starting installation.

Certain steps in the instructions are only presented in the form of images. Explanatory text is also given for more complicated steps.

In the event of any problems with the instructions or the accessory, contact your local Volvo dealer.

## Color symbols

2



IMG-363036

### Note!

This colour chart displays (in colour print and electronic version) the importance of the different colours used in the images of the method steps.

- Used for focused component, the component with which you will do something.
- Used as extra colors when you need to show or differentiate additional parts.
- Used for attachments that are to be removed/installed. May be screws, clips, connectors, etc.
- Used when the component is not fully removed from the vehicle but only hung to the side.
- Used for standard tools and special tools.
- Used as background color for vehicle components.

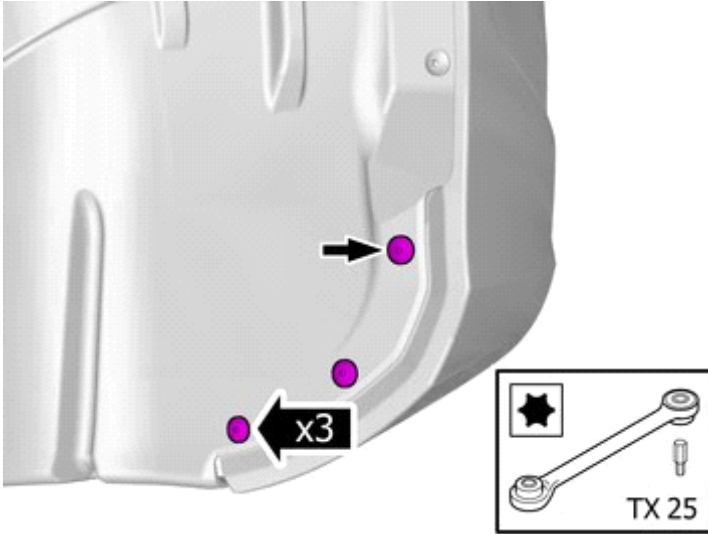
## Removal



# Installation instructions, accessories

Volvo Car Corporation Gothenburg, Sweden

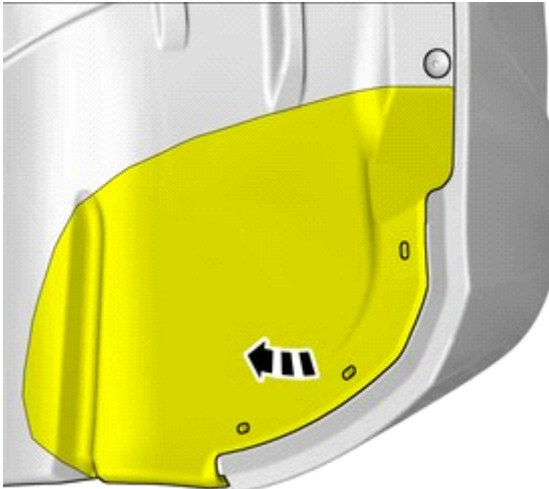
3



Remove the screws.

IMG-409505

4



Fold the wing liner to one side.

IMG-409575

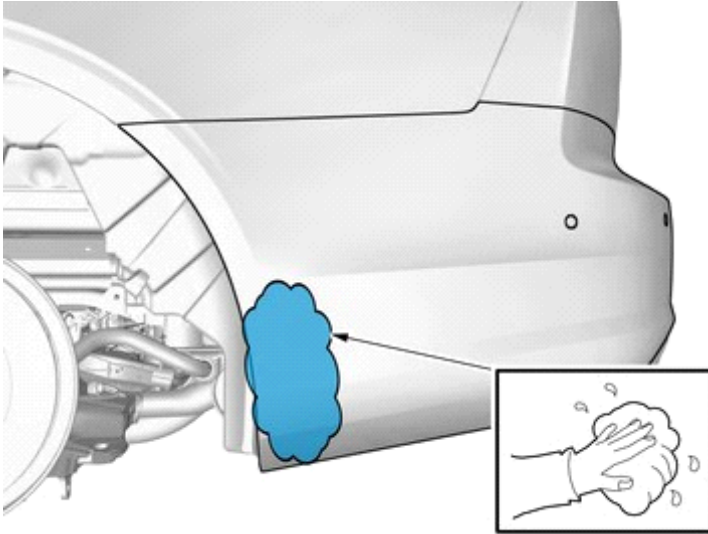
## Preparation



# Installation instructions, accessories

Volvo Car Corporation Gothenburg, Sweden

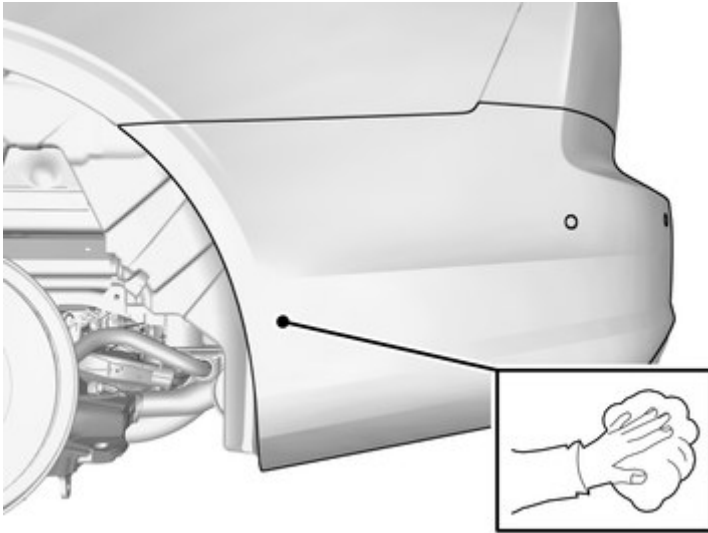
5



IMG-410400

Wipe off

6



IMG-410401

Wipe dry.

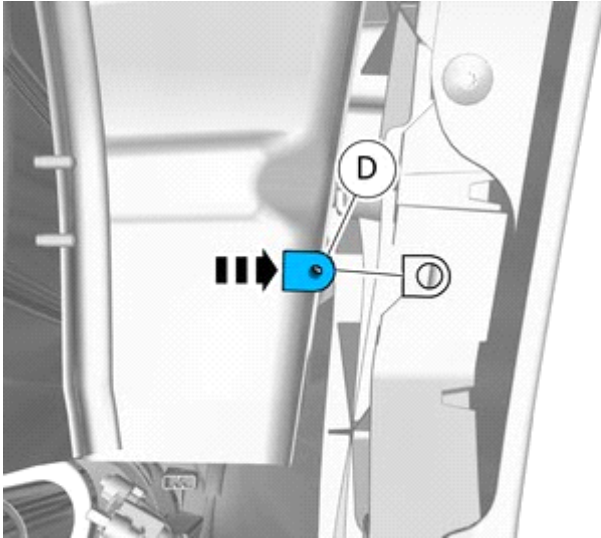
**Accessory installation**



# Installation instructions, accessories

Volvo Car Corporation Gothenburg, Sweden

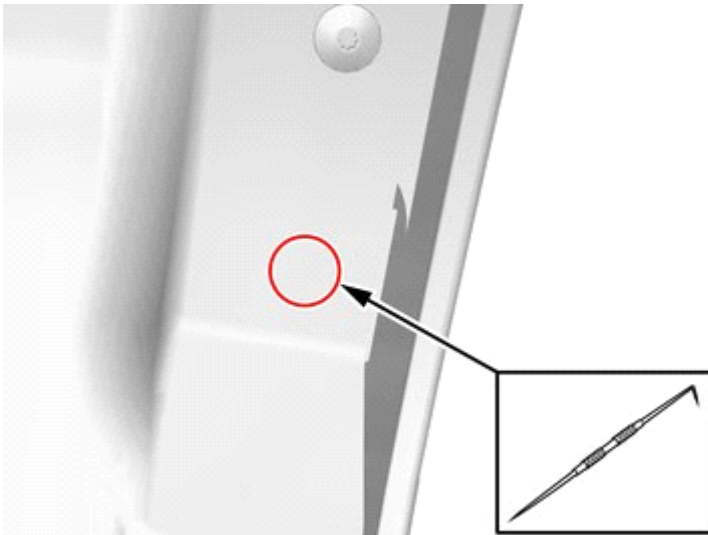
7



IMG-409580

Place the component where indicated in the graphic.

8

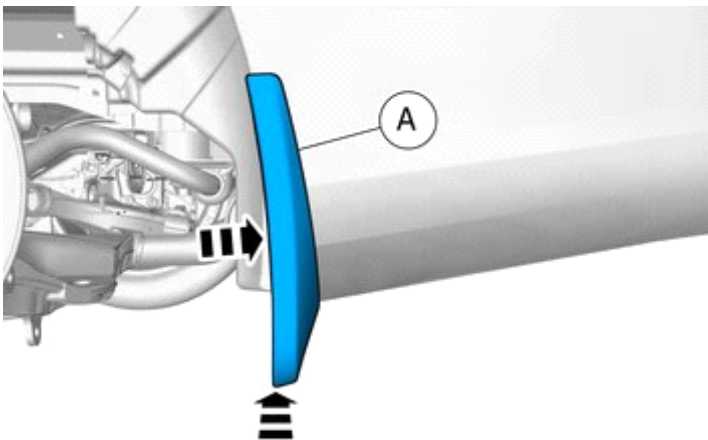


IMG-409581

Locate the existing holes.

Make a hole, using the tool indicated.

9



IMG-409582

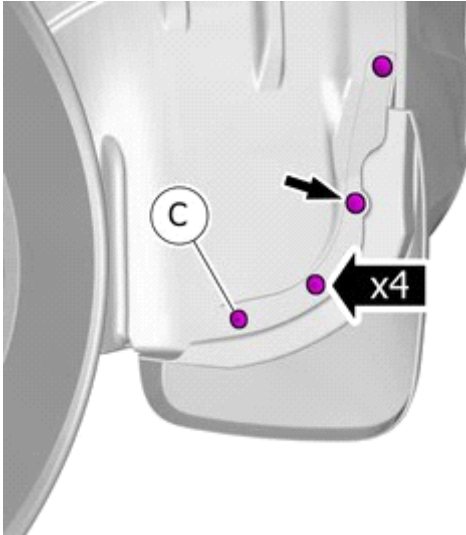
Place the component where indicated in the graphic.



# Installation instructions, accessories

Volvo Car Corporation Gothenburg, Sweden

10



IMG-409583

Install component that comes with the accessory kit.

Tighten the bolts.

11

Repeat all method steps for the other side.